



DOOR TEMPLATE

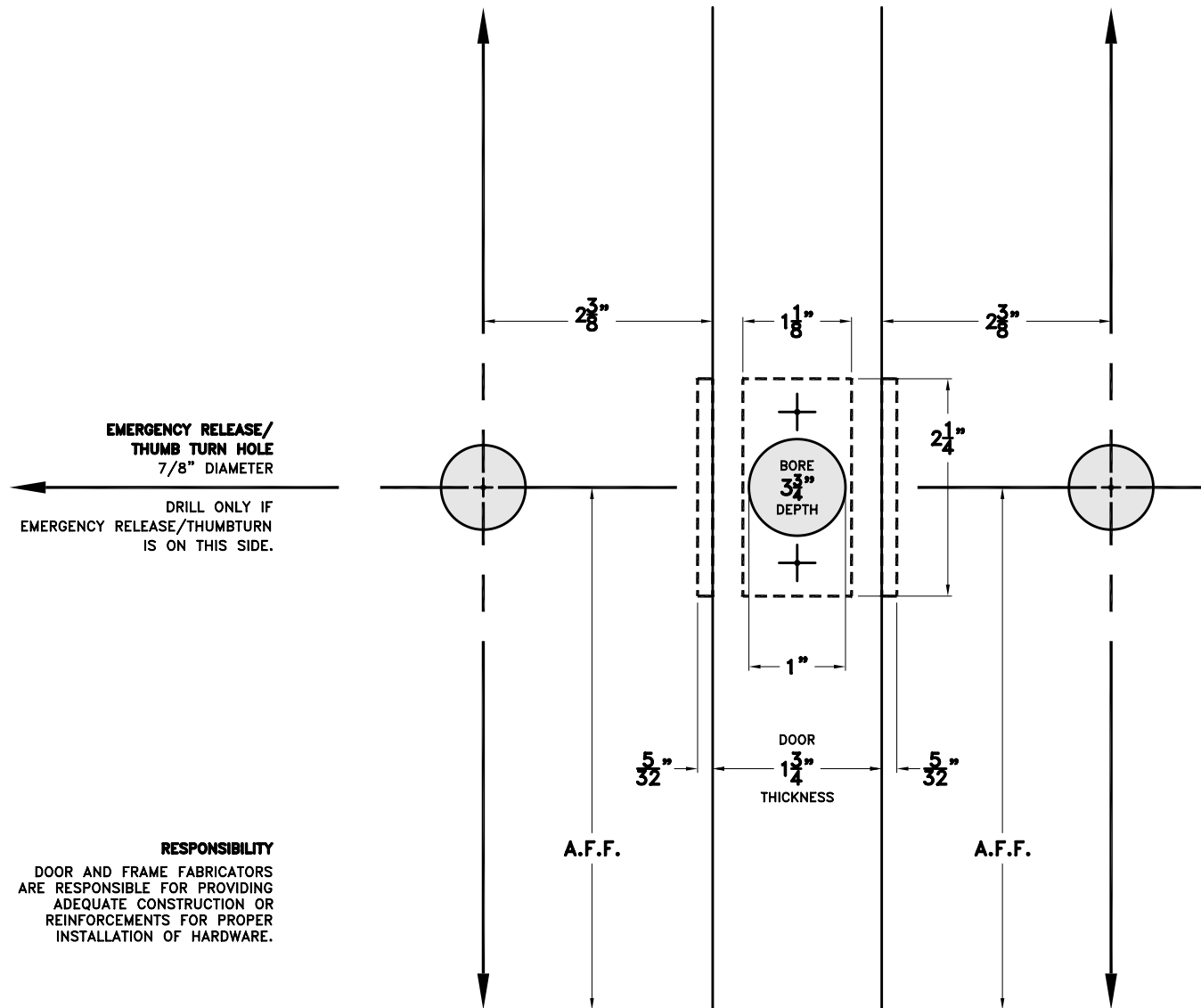
FOR 8802 7020 TUBULAR DEADBOLT
2 3/8" BACKSET WITH THUMBTURN
OR THUMBTURN WITH EMERGENCY
RELEASE.

USE ADJUSTMENT RING TO ADJUST
FRONT FOR FLAT OR BEVELED EDGED
DOOR.

INSTALL LATCH WITH "UP" MARKING
ON FRONT CORRECTLY ORIENTED.

EMERGENCY RELEASE/THUMBTURN HOLE
7/8" DIAMETER

DRILL ONLY IF EMERGENCY RELEASE
OR THUMBTURN IS ON THIS SIDE



**EMERGENCY RELEASE/
THUMB TURN HOLE**
7/8" DIAMETER

DRILL ONLY IF
EMERGENCY RELEASE/THUMBTURN
IS ON THIS SIDE.

RESPONSIBILITY

DOOR AND FRAME FABRICATORS
ARE RESPONSIBLE FOR PROVIDING
ADEQUATE CONSTRUCTION OR
REINFORCEMENTS FOR PROPER
INSTALLATION OF HARDWARE.

DRAWING NO.:
8802-7020-0008-tubular deadbolt.dwg
REVISION: 10/16/02